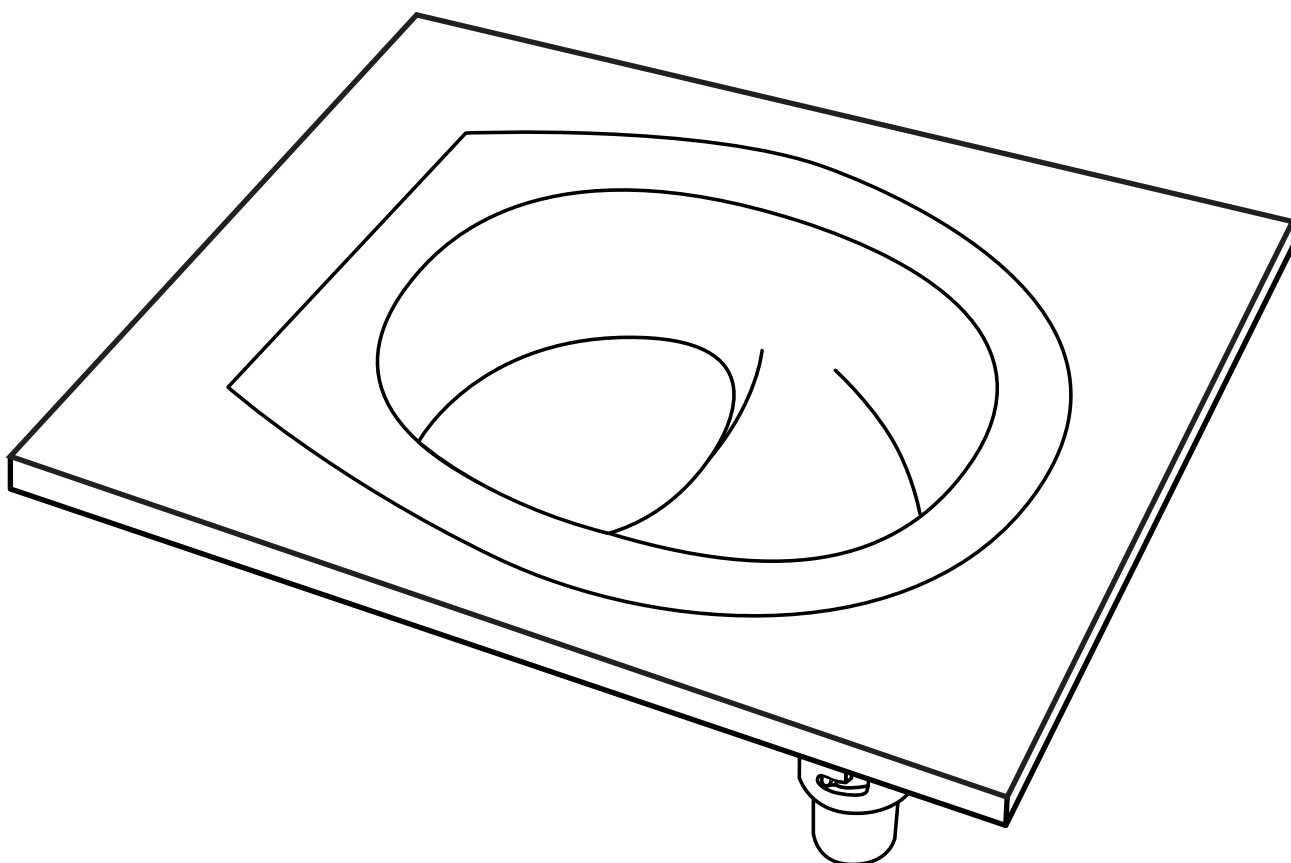


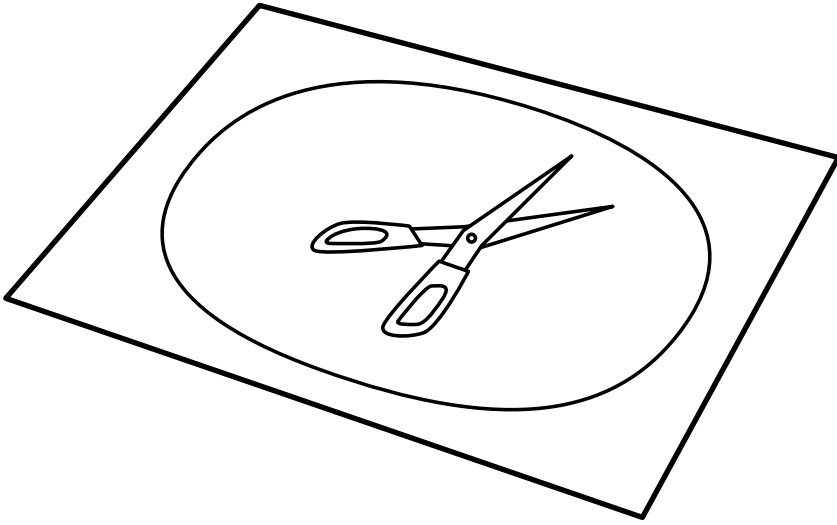


TROBOLO®

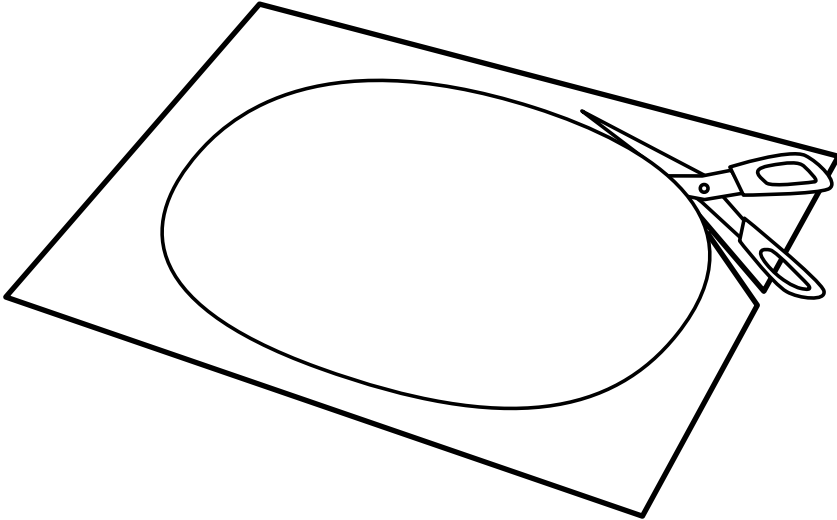


MAN.U6XX1363.4

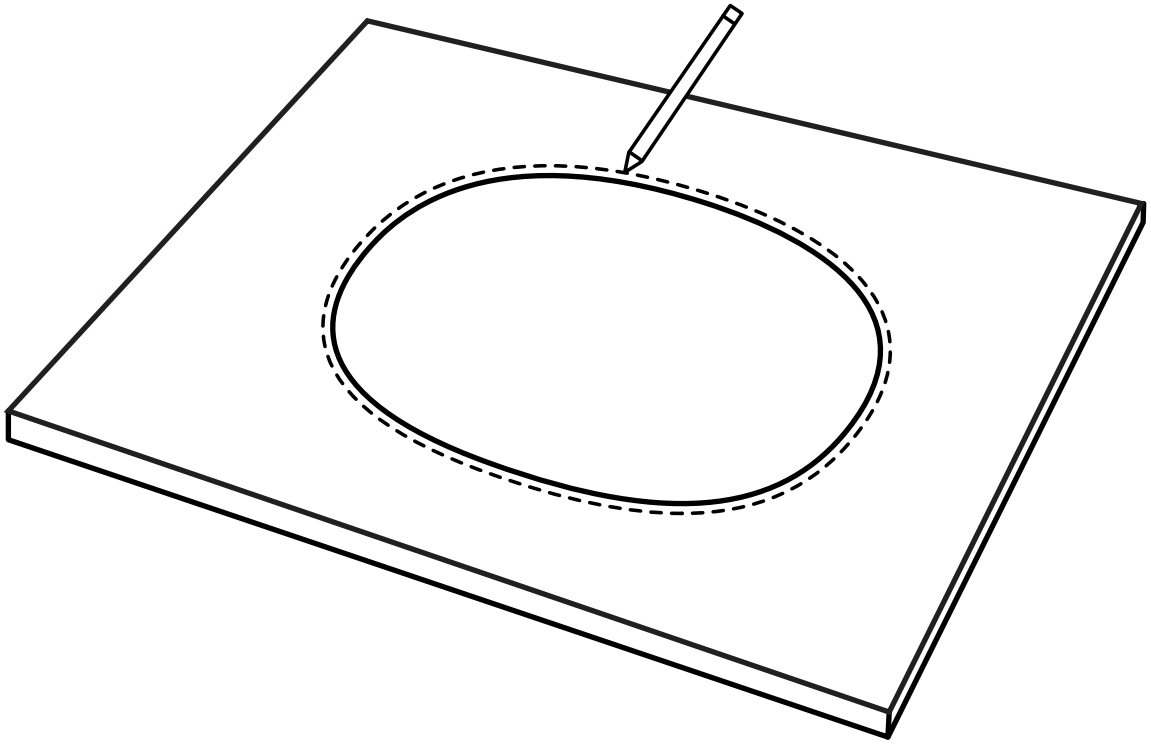
1



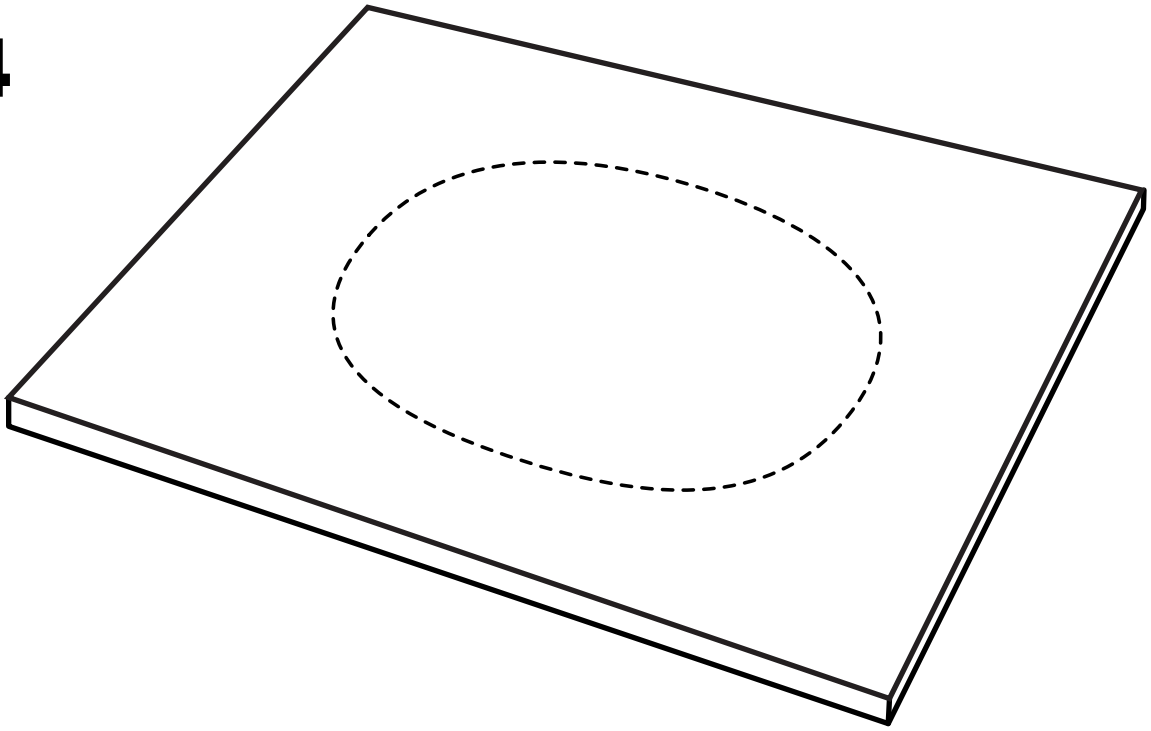
2



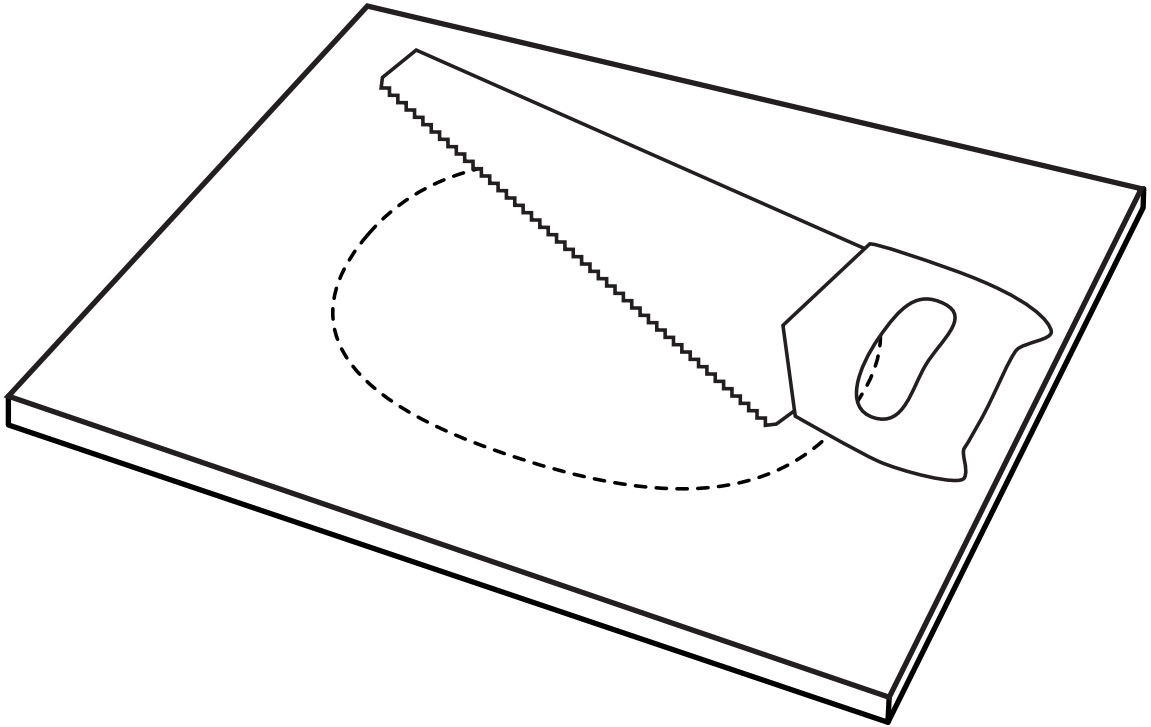
3



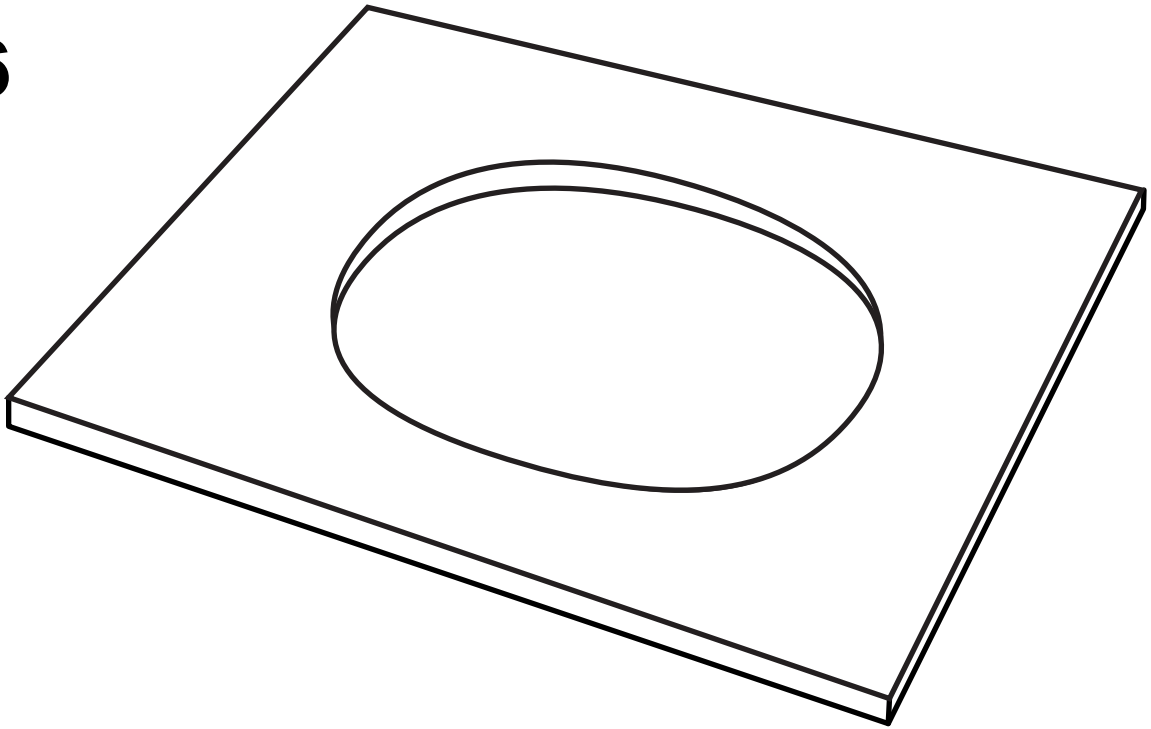
4



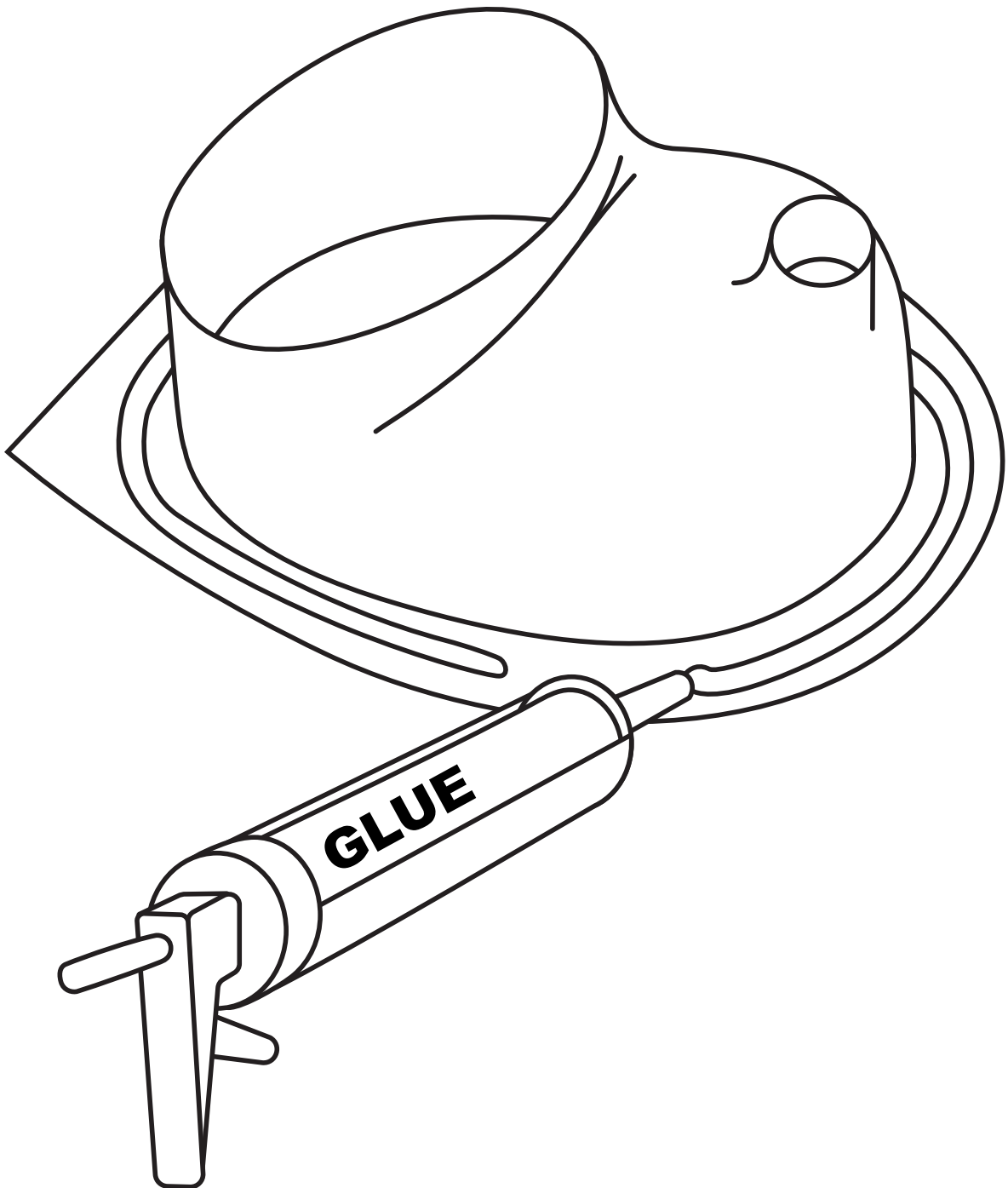
5



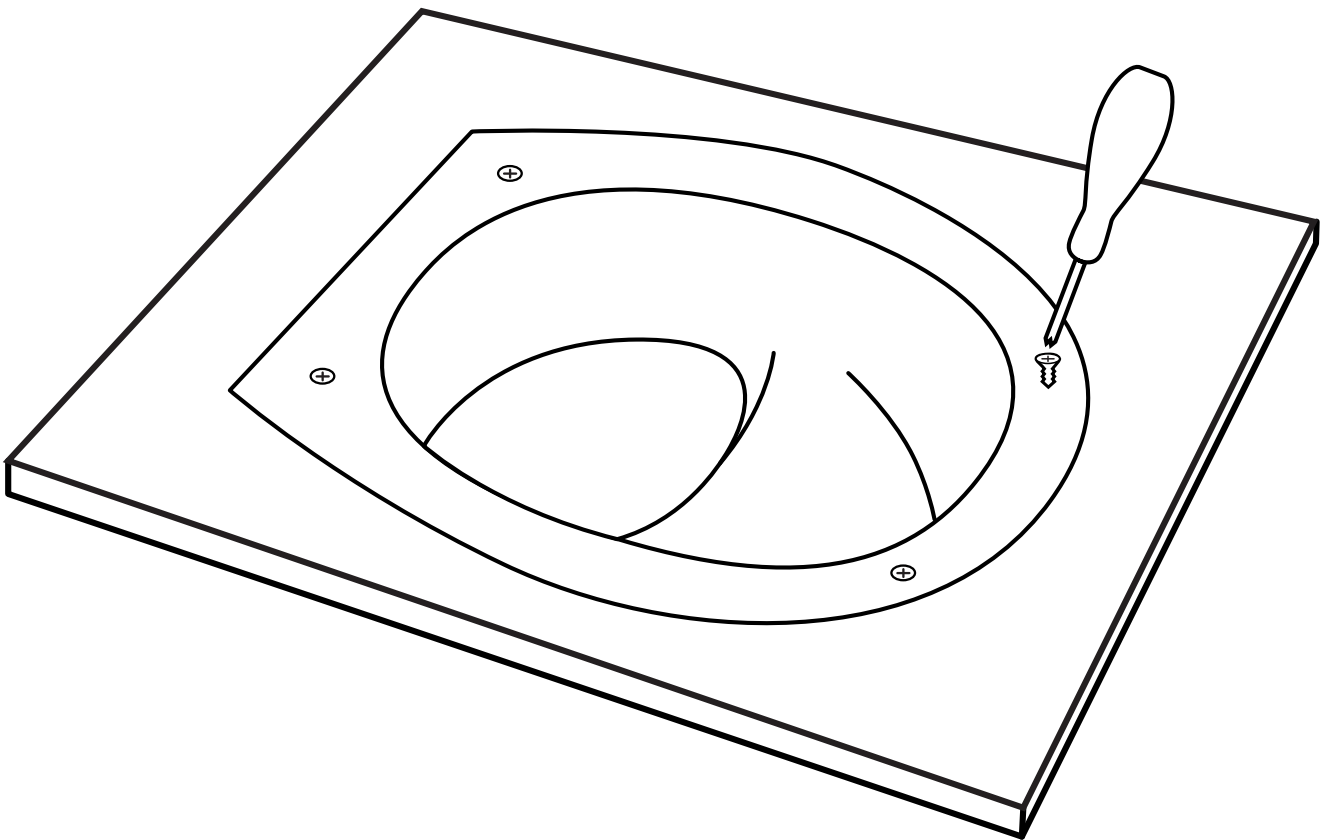
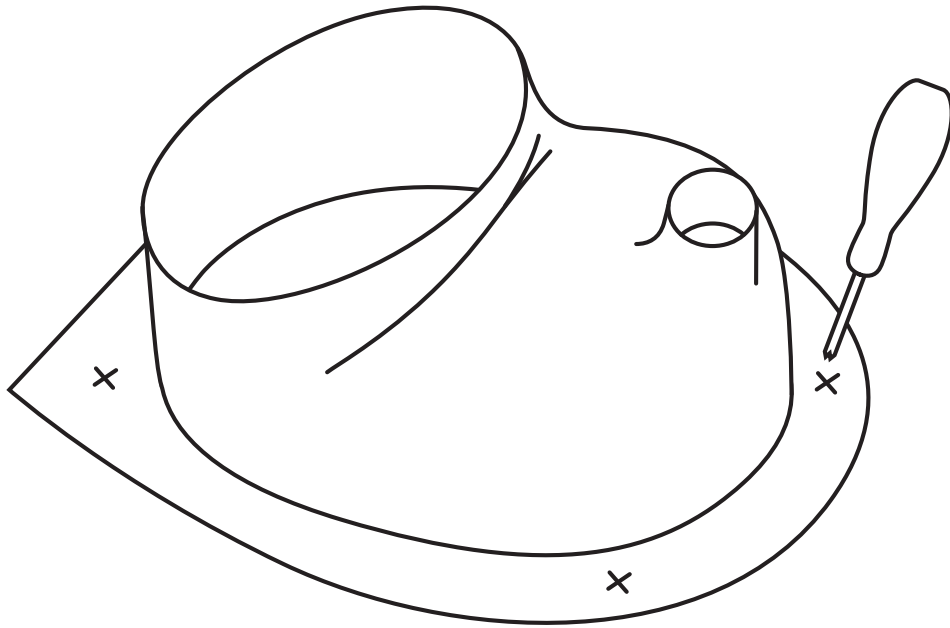
6



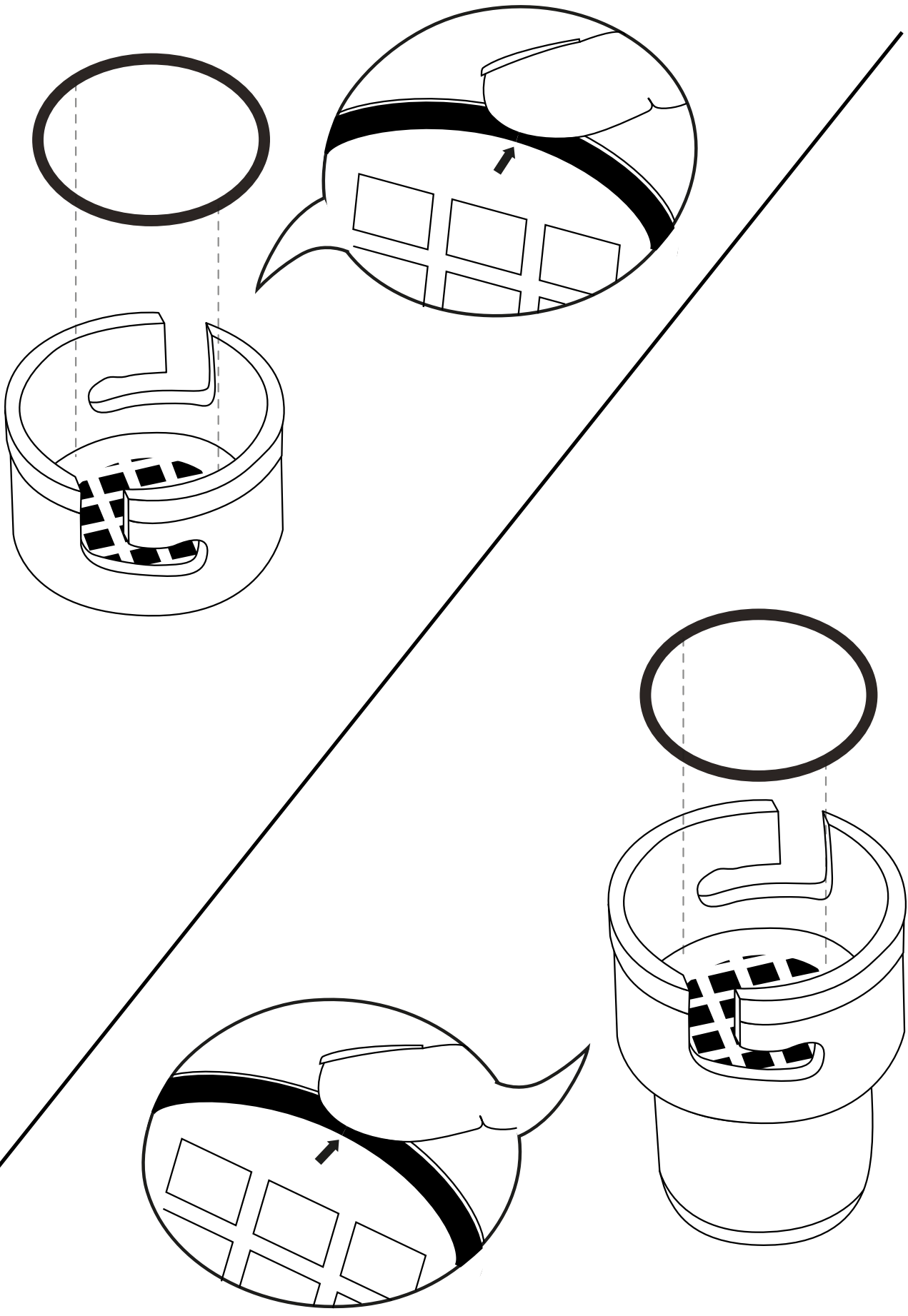
7 V1



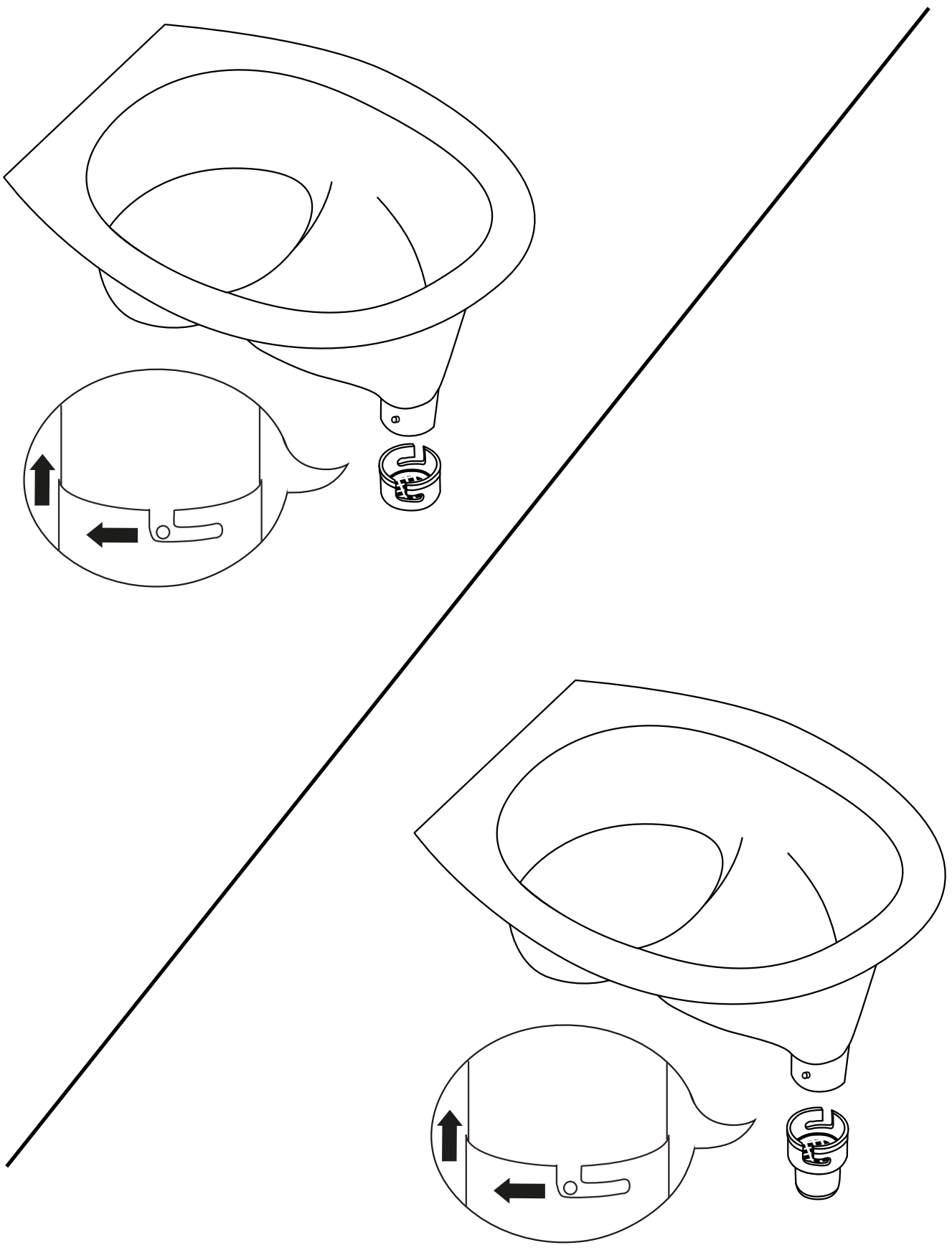
7 V2



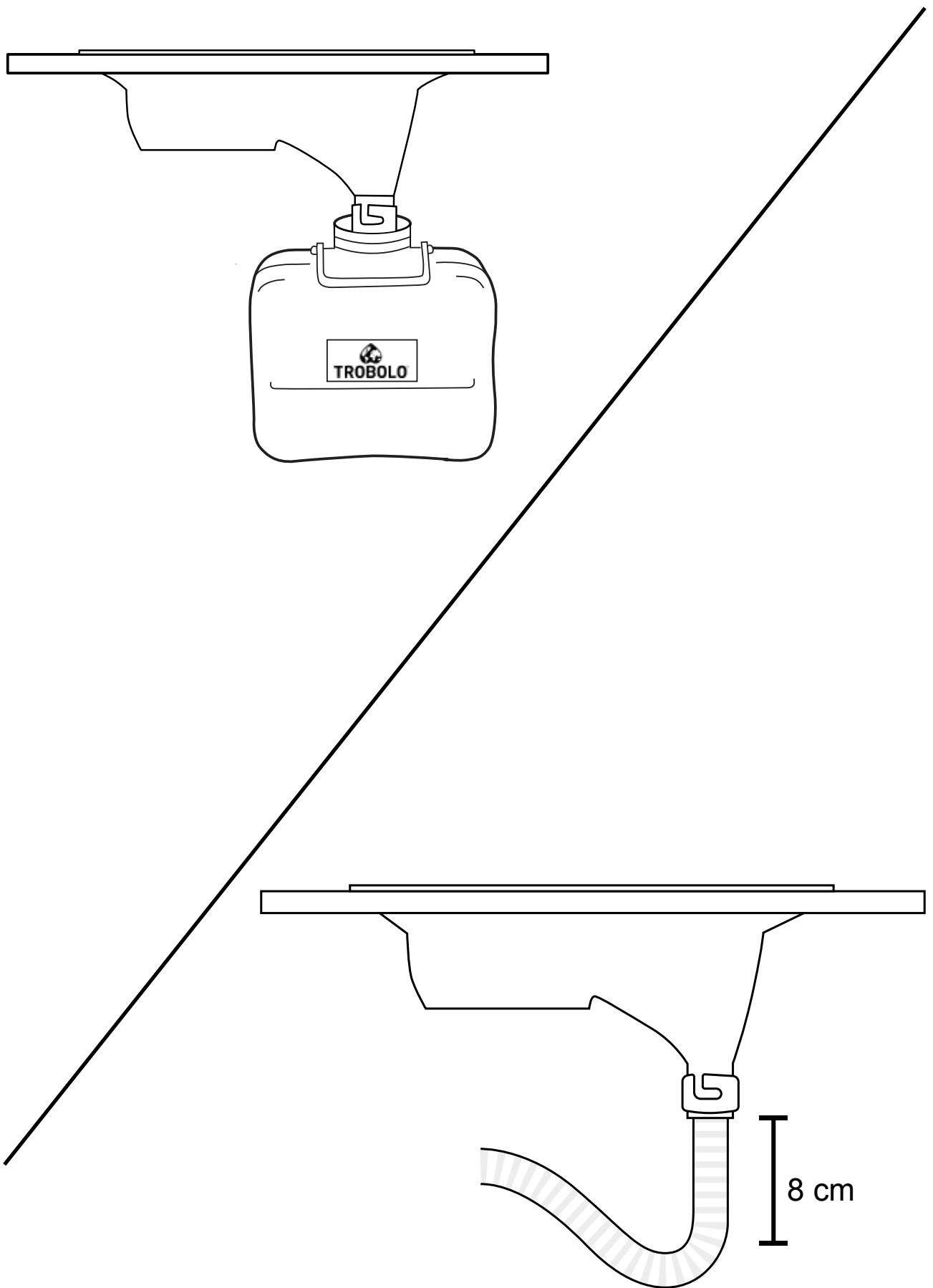
8



9



10





TROBOLO®

Designed in Germany.
Manufactured in Europe.

www.trobolo.com